

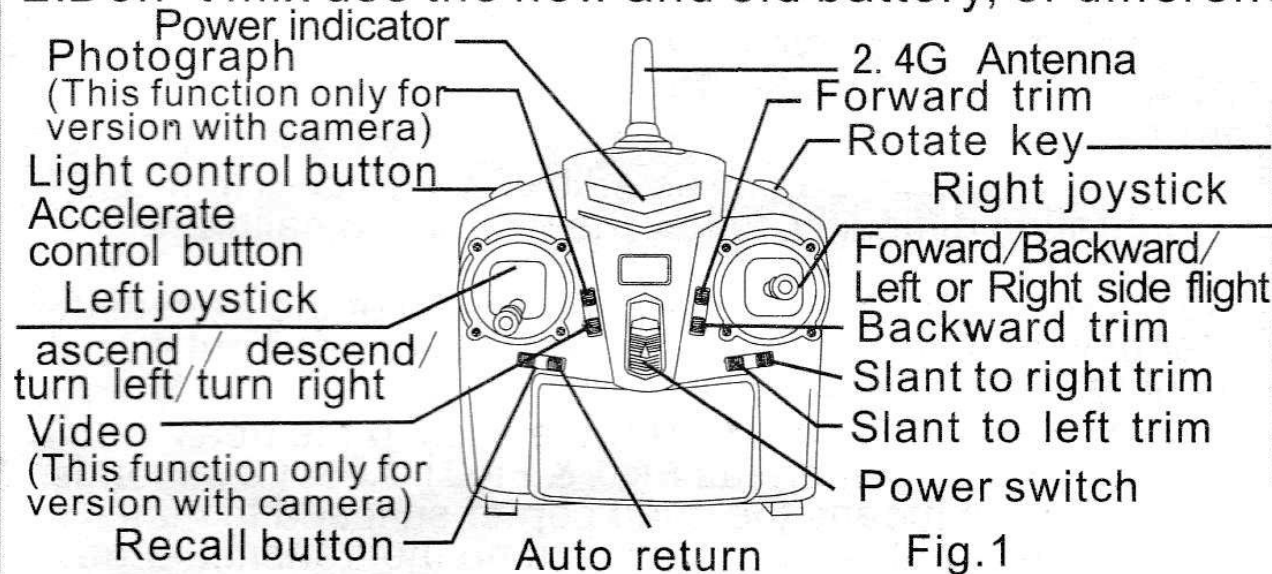
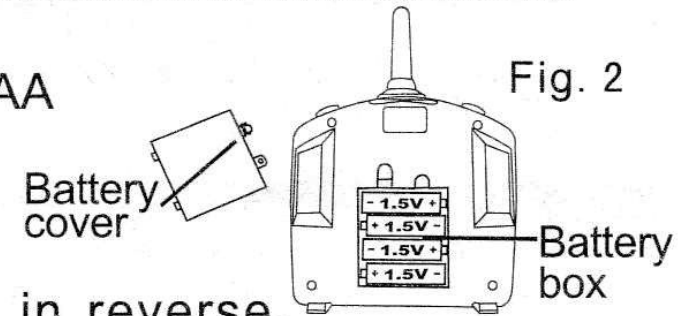
Operating range: above 50m

Functions of transmitter and install instruction

1. Functions of transmitter as Fig. 1
2. Installation of transmitter as Fig. 2, to install 4 AA batteries (additional purchase) in right way

Caution

1. Install the battery should recognize the the positive and negative terminals of the battery and battery box. Can not install in reverse.
2. Don't mix use the new and old battery, or difference kinds of battery.



Press the rotate key and cooperate with the right joystick

Forward rotate

Left rotate

Right rotate

Backward rotate

Fig.1

Method for changing and charging battery of quad copter